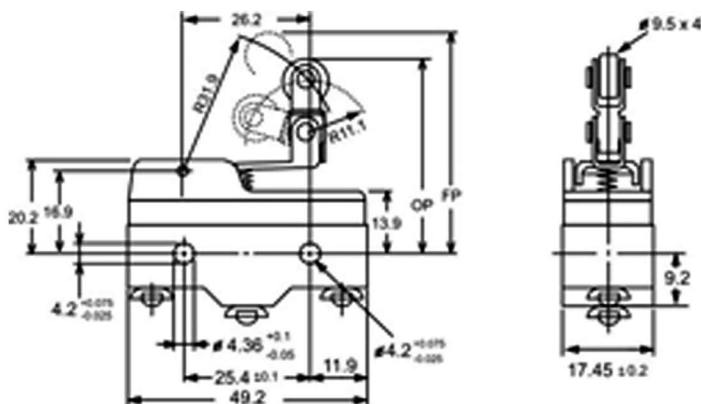


Z-15GW2277



Features :

General Standard

Specifications:

Operating Frequency: 0.01mm-1m/sec

Rated Voltage/Current: 15/600VAC(UL file 240199)

Service Life: Mechanically 1×10^7 (operations)
Electrically 5×10^5 (operations)

Operating Temperature: about $-25 \sim +80$ ($-4 \sim +176$)

Humidity: <95%RH

Degree of protection: IP00/IP63

Delectric Strength:

1000VAC for 1 min between current carrying parts

2500VAC for 1 min between non-current carrying parts

Z-15GW2277

Operating Characteristics

• OF_{max} 1.67N

• RF_{min} 0.41N

• PT_{max} 3mm

• OT_{min} 2.4mm

• MD_{max} 0.8mm

• FP_{max} 43.5mm

• OP 41.3 ± 0.8 mm